



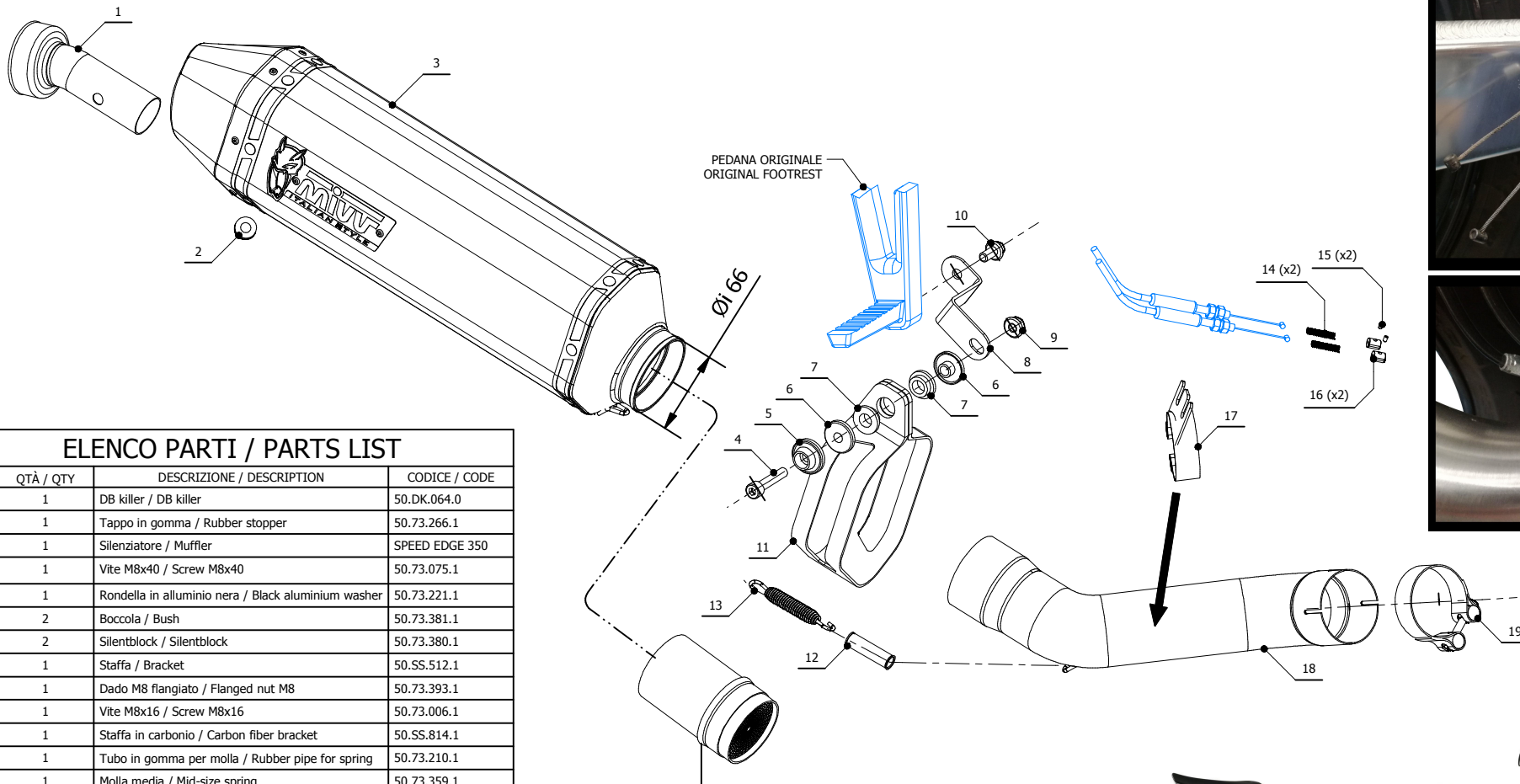
MODEL APRILIA TUONO V4 1100

YEAR 2018 - 2020

LINE SLIP ON

MUFFLER SPEED EDGE

SCHEMATIC



ELENCO PARTI / PARTS LIST

| # | QTÀ / QTY | DESCRIZIONE / DESCRIPTION | CODICE / CODE |
|----|-----------|---|----------------|
| 1 | 1 | DB killer / DB killer | 50.DK.064.0 |
| 2 | 1 | Tappo in gomma / Rubber stopper | 50.73.266.1 |
| 3 | 1 | Silenziatore / Muffler | SPEED EDGE 350 |
| 4 | 1 | Vite M8x40 / Screw M8x40 | 50.73.075.1 |
| 5 | 1 | Rondella in alluminio nera / Black aluminium washer | 50.73.221.1 |
| 6 | 2 | Boccola / Bush | 50.73.381.1 |
| 7 | 2 | Silentblock / Silentblock | 50.73.380.1 |
| 8 | 1 | Staffa / Bracket | 50.SS.512.1 |
| 9 | 1 | Dado M8 flangiato / Flanged nut M8 | 50.73.393.1 |
| 10 | 1 | Vite M8x16 / Screw M8x16 | 50.73.006.1 |
| 11 | 1 | Staffa in carbonio / Carbon fiber bracket | 50.SS.814.1 |
| 12 | 1 | Tubo in gomma per molla / Rubber pipe for spring | 50.73.210.1 |
| 13 | 1 | Molla media / Mid-size spring | 50.73.359.1 |
| 14 | 2 | Molla / Spring | 50.73.142.1 |
| 15 | 2 | Grani M3 / Grub screws M3 | 50.73.140.1 |
| 16 | 2 | Morsetti in alluminio / Aluminium clamps | 50.73.139.1 |
| 17 | 1 | Fascetta passacavi / fairlead clamp | 50.73.906.0 |
| 18 | 1 | Tubo di raccordo / Link pipe | 9773A012S2 |
| 19 | 1 | Fascetta Ø 60/63 mm / Pipe clamp Ø 60/63 mm | 50.FA.010.1 |

Catalytic Converter
Cod. ACC.045.A1

*Optional for A.012.LRB - A.012.LRT
Included in A.012.KRB - A.012.KRT*

APPLICAZIONI / APPLICATIONS

| CODICE / CODE | SILENZIATORE / MUFFLER | TUBO / PIPE | FASCETTA / CLAMP | NOTE |
|------------------------|-----------------------------------|------------------|-------------------------|-------------------------------------|
| A.012.LRB A.012.LRT | STEEL BLACK TITANIO / TITANIUM | INOX / ST. STEEL | CARBONIO / CARBON FIBER | CATALYTIC CONVERTER NOT INCLUDED |
| A.012.KRB A.012.KRT | STEEL BLACK TITANIO / TITANIUM | INOX / ST. STEEL | CARBONIO / CARBON FIBER | CATALYTIC CONVERTER INCLUDED |

